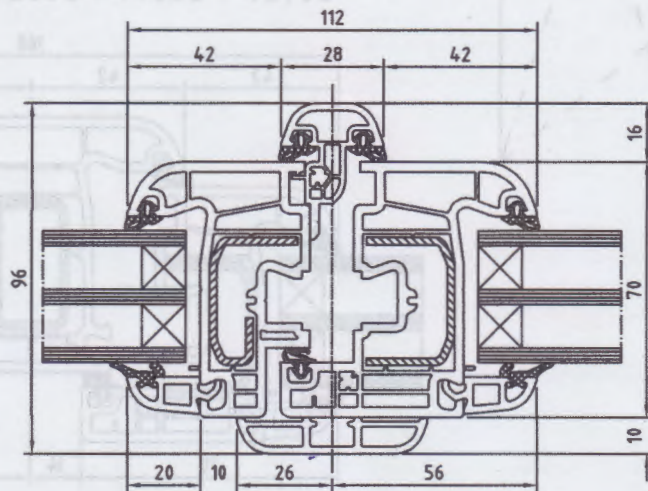


4

50936 + 50015 + (50027+50028) + 50014 + 50936



4

